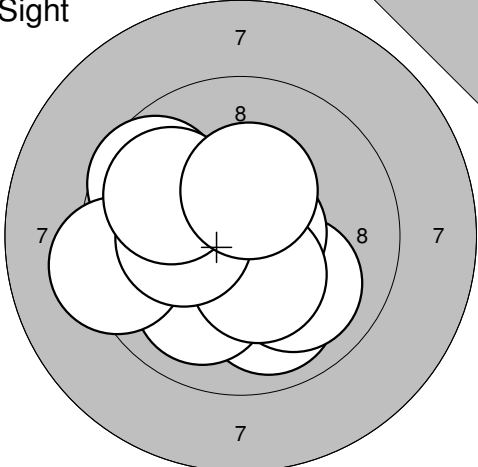
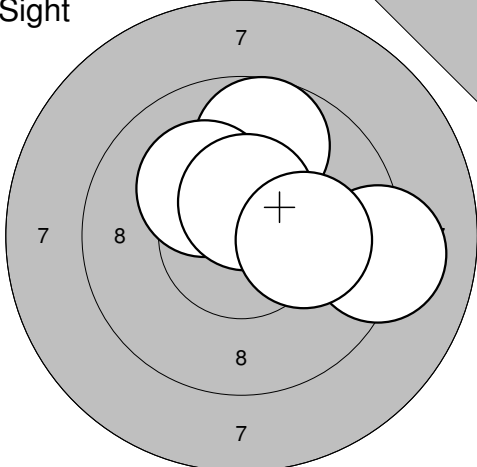


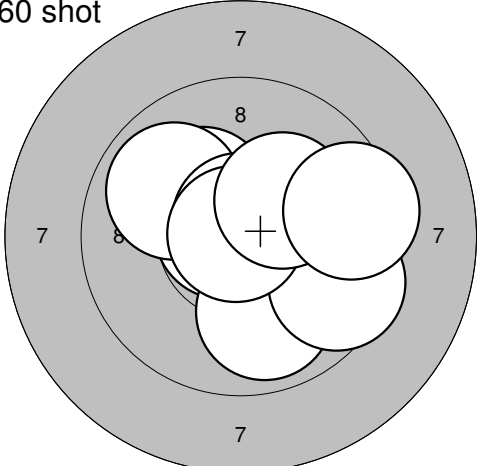
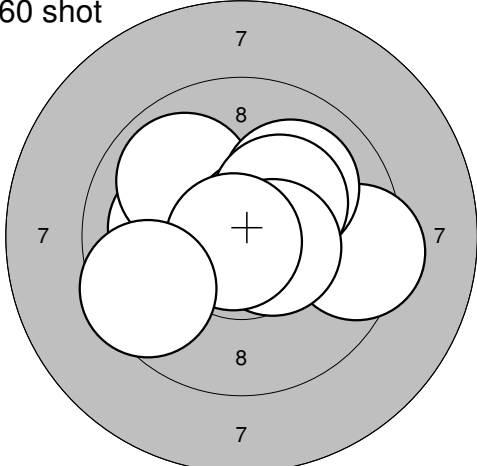
| | | | |
|--------------|---|--------------|--|
| <p>Sight</p> | <p>1: 8,9 ← 2: 8,2 ↖ 3: 8,9 ↖ 4: 10,6* ↘ 5: 9,2 ↘ 6: 9,4 ↘ 7: 10,4* ↘ 8: 9,7 ↗ 9: 9,9 ← 10: 9,7 ↗</p> <p>Serie: 89,0 Sum: 0,0</p> | <p>Sight</p> | <p>11: 10,7* ↑ 12: 9,6 ↗ 13: 10,8* ↘ 14: 10,0 ↗ 15: 9,3 ↗ 16: 10,0 ↑ 17: 10,6* ↘ 18: 10,3* ↖ 19: 10,4* ↗</p> <p>Serie: 88,0 Sum: 0,0</p> |
|--------------|---|--------------|--|

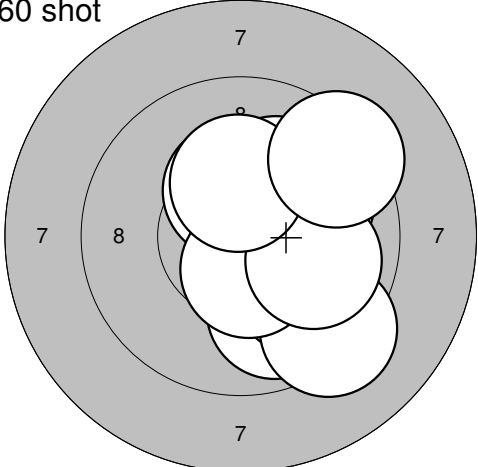
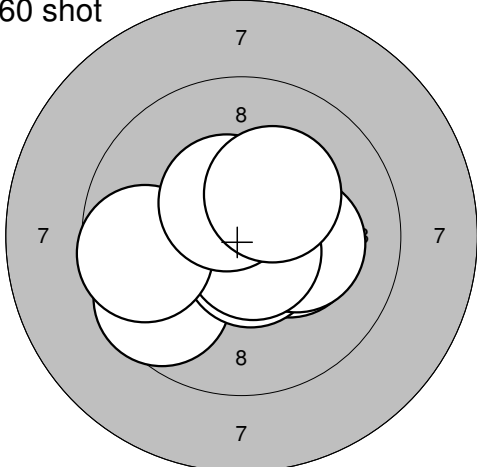
| | | | |
|----------------|---|----------------|--|
| <p>60 shot</p> | <p>1: 8,9 ↖ 2: 10,5* → 3: 10,6* → 4: 10,1 ← 5: 10,9* ↗ 6: 9,8 ↘ 7: 9,9 ↗ 8: 10,5* ↗ 9: 9,9 → 10: 10,7* ←</p> <p>Serie: 95,0 Sum: 95,0</p> | <p>60 shot</p> | <p>11: 10,1 ↖ 12: 10,4* ↖ 13: 10,3* ↘ 14: 9,9 ← 15: 9,7 → 16: 10,5* ↘ 17: 10,3* ↗ 18: 10,1 ↘ 19: 9,7 → 20: 10,2* →</p> <p>Serie: 97,0 Sum: 192,0</p> |
|----------------|---|----------------|--|

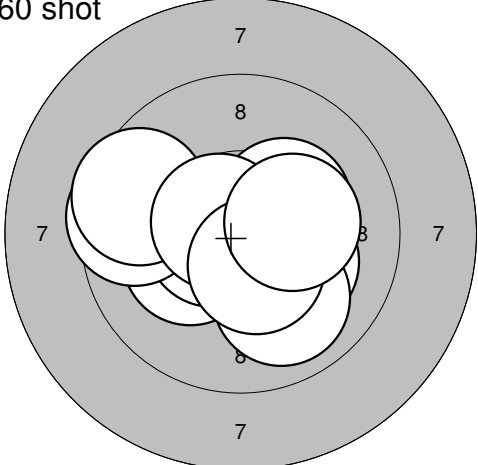
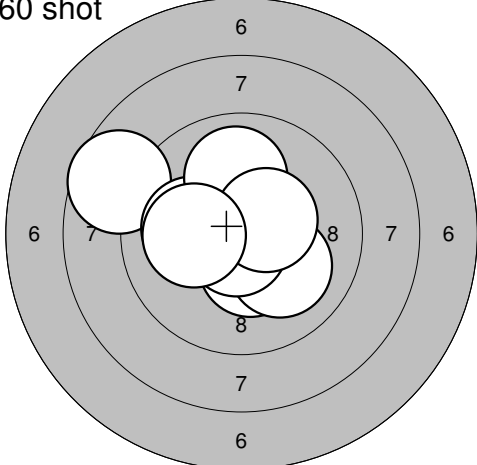
| | | | |
|----------------|--|----------------|---|
| <p>60 shot</p> | <p>21: 9,1 ↖ 22: 10,1 ↗ 23: 10,8* ↖ 24: 10,3* → 25: 9,6 → 26: 10,6* → 27: 9,5 ↘ 28: 10,1 ↘ 29: 10,9* ↘ 30: 10,8* ↘</p> <p>Serie: 97,0 Sum: 289,0</p> | <p>60 shot</p> | <p>31: 10,9* ↘ 32: 9,9 ↘ 33: 10,6* ↗ 34: 10,6* ↗ 35: 9,3 → 36: 9,2 ↘ 37: 9,8 → 38: 10,6* ↘ 39: 10,1 → 40: 10,2* ↘</p> <p>Serie: 96,0 Sum: 385,0</p> |
|----------------|--|----------------|---|

| | | | |
|----------------|---|----------------|--|
| <p>60 shot</p> | <p>41: 10,1 ↘ 42: 10,5* → 43: 10,2* ↘ 44: 10,5* ↗ 45: 10,0 ↘ 46: 10,1 ↗ 47: 10,4* ↘ 48: 10,2* ↖ 49: 10,0 ↗ 50: 10,3* ↘</p> <p>Serie: 100,0 Sum: 485,0</p> | <p>60 shot</p> | <p>51: 10,3* ↖ 52: 9,8 ↖ 53: 10,3* ↖ 54: 10,6* ↗ 55: 10,0 ↗ 56: 10,3* → 57: 9,7 ← 58: 10,3* ← 59: 10,5* ↘ 60: 10,0 ↘</p> <p>Serie: 98,0 Sum: 583,0</p> |
|----------------|---|----------------|--|

| | | | |
|---|---|---|---|
| <p>Sight</p>  | <p>1: 9,9 ↓ 2: 10,0 ↓ 3: 10,0 ↓ 4: 9,6 ↗ 5: 9,3 ← 6: 10,7* → 7: 10,4* ↓ 8: 10,2* ← 9: 9,9 ↗ 10: 10,4* ↑</p> <p>Serie: 96,0 Sum: 0,0</p> | <p>Sight</p>  | <p>11: 9,7 ↑ 12: 10,2* ↖ 13: 9,1 → 14: 10,5* ↑ 15: 10,1 →</p> <p>Serie: 48,0 Sum: 0,0</p> |
|---|---|---|---|

| | | | |
|--|--|--|--|
| <p>60 shot</p>  | <p>1: 10,3* → 2: 10,7* ← 3: 9,9 ↓ 4: 10,2* ↗ 5: 9,5 ↓ 6: 9,9 ↗ 7: 10,8* ↑ 8: 10,9* ↗ 9: 10,2* ↗ 10: 9,5 →</p> <p>Serie: 96,0 Sum: 96,0</p> | <p>60 shot</p>  | <p>11: 9,4 → 12: 10,5* ↗ 13: 10,1 ← 14: 9,9 ↗ 15: 10,7* ↗ 16: 10,0 ↗ 17: 10,3* ↗ 18: 10,5* → 19: 10,8* ↘ 20: 9,5 ↘</p> <p>Serie: 97,0 Sum: 193,0</p> |
|--|--|--|--|

| | | | |
|---|--|---|--|
| <p>60 shot</p>  | <p>21: 9,9 ↓ 22: 9,9 ↓ 23: 10,1 ↗ 24: 10,0 → 25: 9,3 ↓ 26: 10,3* ↗ 27: 10,5* ↓ 28: 9,9 → 29: 10,3* ↑ 30: 9,3 ↗</p> <p>Serie: 95,0 Sum: 288,0</p> | <p>60 shot</p>  | <p>31: 10,6* ← 32: 10,3* → 33: 10,7* ↗ 34: 9,6 ↘ 35: 10,6* ↓ 36: 10,2* → 37: 10,7* ↓ 38: 9,7 ← 39: 10,5* ↑ 40: 10,3* ↗</p> <p>Serie: 98,0 Sum: 386,0</p> |
|---|--|---|--|

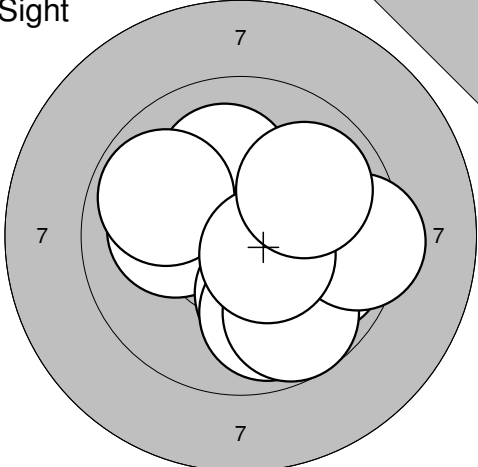
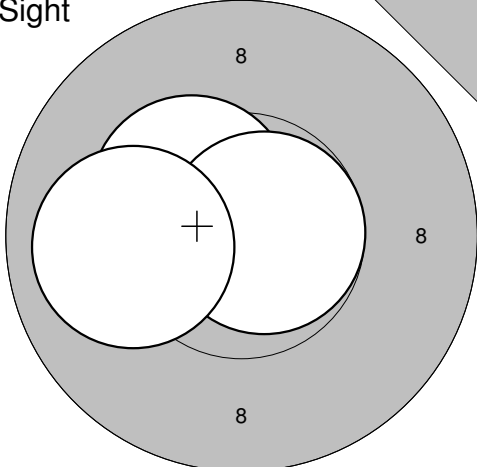
| | | | |
|---|---|---|--|
| <p>60 shot</p>  | <p>41: 10,3* ↗ 42: 10,2* ← 43: 10,2* ↓ 44: 10,6* ← 45: 9,6 ← 46: 9,5 ↗ 47: 10,6* ↗ 48: 10,0 ↓ 49: 10,5* ↓ 50: 10,3* →</p> <p>Serie: 98,0 Sum: 484,0</p> | <p>60 shot</p>  | <p>51: 8,7 ↖ 52: 10,4* ↑ 53: 10,4* ↓ 54: 10,8* ↘ 55: 10,1 ← 56: 10,0 ↑ 57: 10,1 ↓ 58: 10,7* ↓ 59: 10,5* ↗ 60: 10,1 ←</p> <p>Serie: 98,0 Sum: 582,0</p> |
|---|---|---|--|

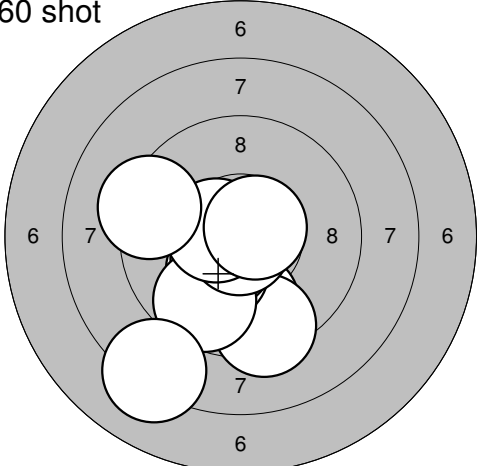
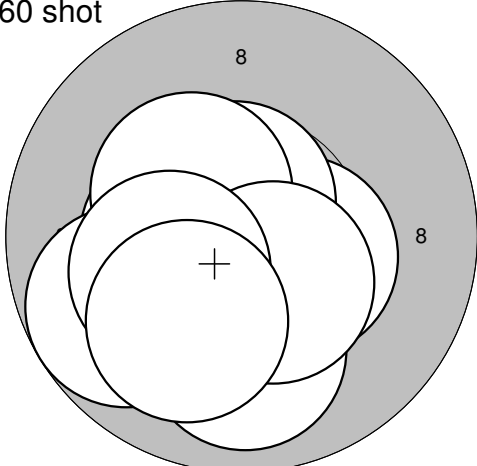
| | | |
|--------------|--|---|
| <p>Sight</p> | <p>1: 10,2* ↗ 2: 10,0 ↓ 3: 10,4* ← 4: 10,1 ↓ 5: 10,0 ↓ 6: 10,1 ↗ 7: 9,9 ← 8: 10,8* → 9: 10,5* ← 10: 9,8 ↓</p> <p>Serie: 98,0 Sum: 0,0</p> | <p>Sight</p> <p style="text-align: right;">11: 10,3* ←</p> <p style="text-align: right;">Serie: 10,0 Sum: 0,0</p> |
|--------------|--|---|

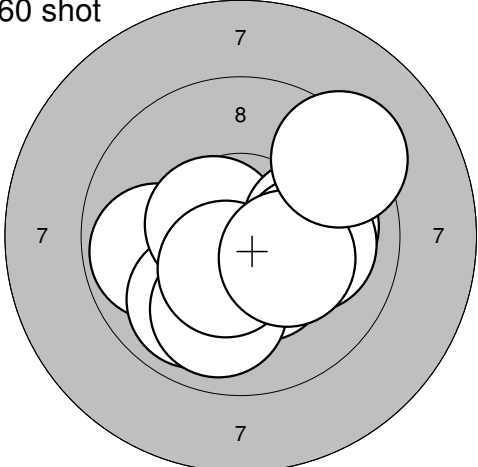
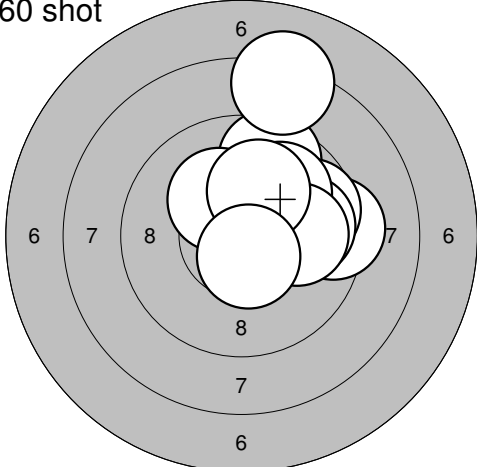
| | | |
|----------------|---|--|
| <p>60 shot</p> | <p>1: 10,4* ← 2: 10,6* ↗ 3: 10,7* → 4: 10,4* ↑ 5: 9,2 → 6: 10,2* → 7: 10,5* ↓ 8: 9,2 ↗ 9: 9,3 ↗ 10: 9,6 ←</p> <p>Serie: 96,0 Sum: 96,0</p> | <p>60 shot</p> <p style="text-align: right;">11: 9,7 ← 12: 10,5* ← 13: 9,9 → 14: 9,6 ← 15: 10,5* ↓ 16: 10,3* → 17: 10,1 ← 18: 9,5 ↗ 19: 10,0 ← 20: 10,6* →</p> <p style="text-align: right;">Serie: 96,0 Sum: 192,0</p> |
|----------------|---|--|

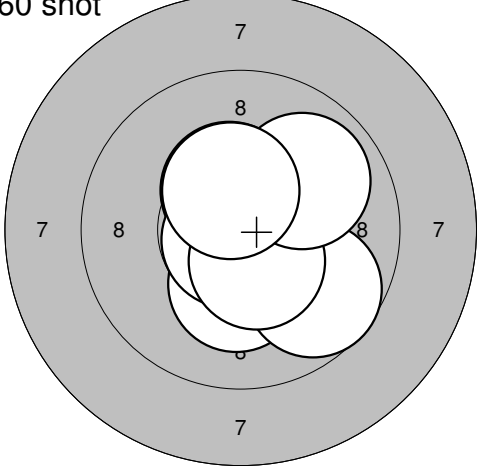
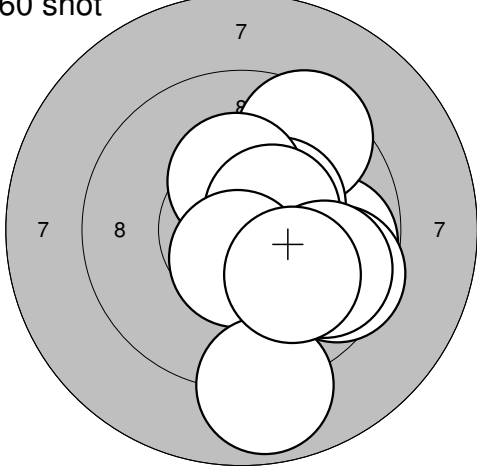
| | | |
|----------------|---|--|
| <p>60 shot</p> | <p>21: 9,6 → 22: 10,2* ↗ 23: 10,4* ← 24: 10,5* → 25: 10,3* ← 26: 9,7 ← 27: 9,8 → 28: 9,7 → 29: 10,6* ↓ 30: 10,4* ←</p> <p>Serie: 96,0 Sum: 288,0</p> | <p>60 shot</p> <p style="text-align: right;">31: 7,8 → 32: 10,5* ↑ 33: 10,4* ← 34: 9,8 ↙ 35: 10,2* ↙ 36: 10,2* ↙ 37: 10,3* → 38: 10,6* ↗ 39: 10,4* ↑ 40: 10,7* ↑</p> <p style="text-align: right;">Serie: 96,0 Sum: 384,0</p> |
|----------------|---|--|

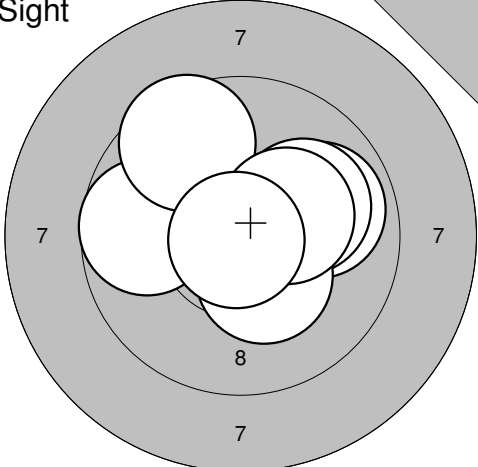
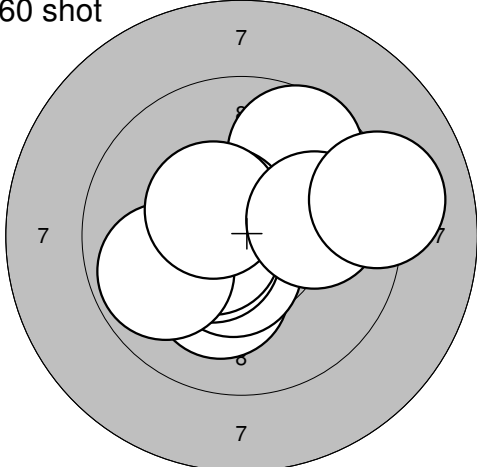
| | | |
|----------------|--|---|
| <p>60 shot</p> | <p>41: 9,2 ← 42: 10,5* → 43: 8,7 → 44: 10,1 ← 45: 9,8 ↗ 46: 10,9* ↓ 47: 10,2* ↓ 48: 10,2* ↑ 49: 9,1 ← 50: 9,9 ←</p> <p>Serie: 94,0 Sum: 478,0</p> | <p>60 shot</p> <p style="text-align: right;">51: 10,2* ↗ 52: 9,7 → 53: 10,1 → 54: 10,7* → 55: 10,6* → 56: 9,6 ↑ 57: 10,6* ↗ 58: 10,2* ↙ 59: 10,3* ↗ 60: 9,6 ↗</p> <p style="text-align: right;">Serie: 97,0 Sum: 575,0</p> |
|----------------|--|---|

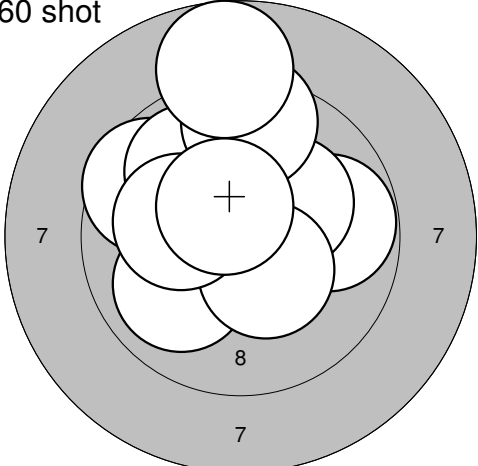
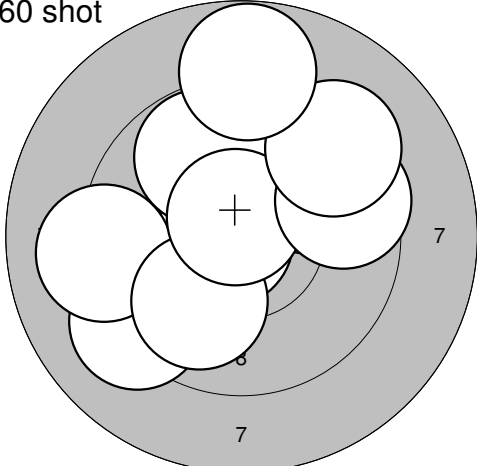
| | | |
|---|--|---|
| <p>Sight</p>  | <p>1: 10,1 ← 2: 10,1 ↗ 3: 9,9 ↗ 4: 10,1 ↘ 5: 9,9 ↘ 6: 9,9 ↘ 7: 9,7 ↘ 8: 9,4 → 9: 10,5* ↘ 10: 9,9 ↗</p> <p>Serie: 94,0 Sum: 0,0</p> | <p>Sight</p>  <p>11: 10,4* ↖ 12: 10,7* → 13: 10,0 ←</p> <p>Serie: 30,0 Sum: 0,0</p> |
|---|--|---|

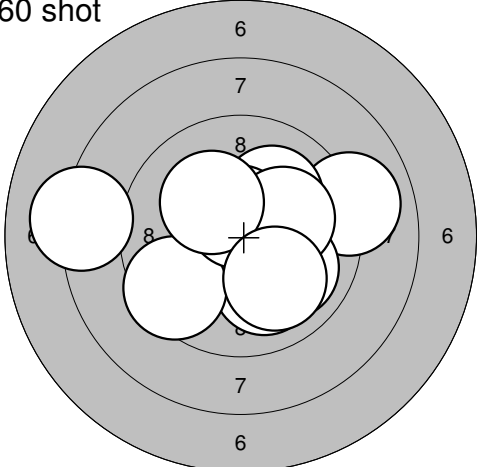
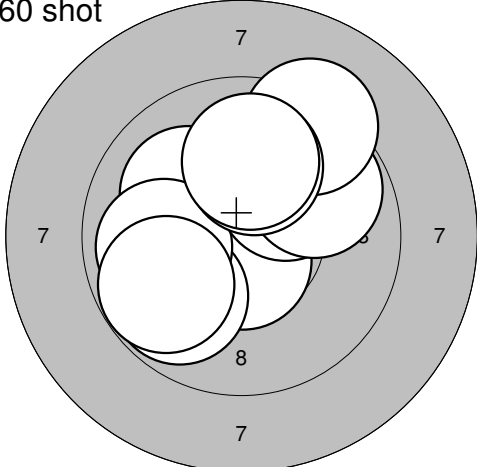
| | | |
|--|--|--|
| <p>60 shot</p>  | <p>1: 9,8 ↓ 2: 9,3 ↓ 3: 10,2* ↓ 4: 10,5* ↓ 5: 9,7 ↓ 6: 10,8* ↓ 7: 10,5* ↖ 8: 8,2 ↓ 9: 9,3 ↖ 10: 10,6* ↗</p> <p>Serie: 94,0 Sum: 94,0</p> | <p>60 shot</p>  <p>11: 10,4* → 12: 10,4* ← 13: 10,7* ↗ 14: 9,9 ↓ 15: 10,6* ↗ 16: 10,4* ↗ 17: 10,5* ↘ 18: 9,8 ← 19: 10,2* ← 20: 10,1 ↘</p> <p>Serie: 98,0 Sum: 192,0</p> |
|--|--|--|

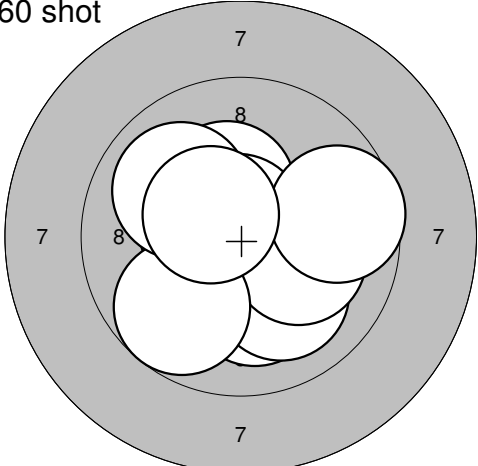
| | | |
|---|--|---|
| <p>60 shot</p>  | <p>21: 9,8 ← 22: 9,9 ↘ 23: 10,6* ↗ 24: 10,4* ↘ 25: 9,9 ↘ 26: 10,5* ↘ 27: 10,0 → 28: 10,1 → 29: 10,3* ↘ 30: 9,3 ↗</p> <p>Serie: 96,0 Sum: 288,0</p> | <p>60 shot</p>  <p>31: 9,6 ↗ 32: 9,3 → 33: 9,7 → 34: 8,2 ↗ 35: 9,9 → 36: 10,0 ↗ 37: 10,2* ↗ 38: 10,0 → 39: 10,1 ↗ 40: 10,6* ↘</p> <p>Serie: 94,0 Sum: 382,0</p> |
|---|--|---|

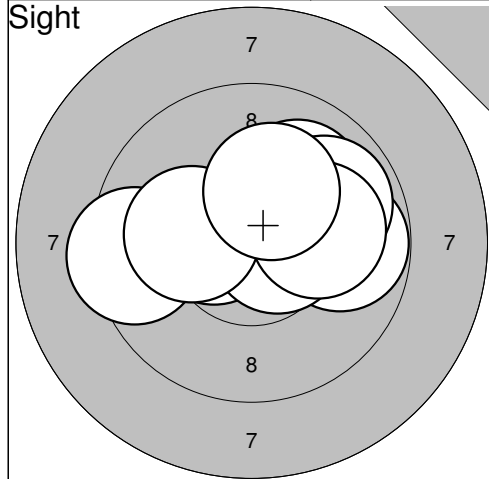
| | | |
|---|--|---|
| <p>60 shot</p>  | <p>41: 10,6* ↓ 42: 10,7* ↗ 43: 10,2* ↓ 44: 9,7 ↘ 45: 10,4* ↗ 46: 10,6* ↗ 47: 10,8* ↘ 48: 10,5* ↘ 49: 9,9 ↗ 50: 10,4* ↗</p> <p>Serie: 98,0 Sum: 480,0</p> | <p>60 shot</p>  <p>51: 9,8 → 52: 9,5 ↗ 53: 10,4* ↗ 54: 10,3* ↗ 55: 10,5* ↗ 56: 10,6* ↓ 57: 9,6 → 58: 9,7 → 59: 8,9 ↓ 60: 10,1 ↘</p> <p>Serie: 94,0 Sum: 574,0</p> |
|---|--|---|

| | | |
|---|---|---|
| <p>Sight</p>  | <p>1: 10,7* →</p> <p>2: 9,7 ←</p> <p>3: 9,6 ↗</p> <p>4: 9,9 →</p> <p>5: 10,0 →</p> <p>6: 10,7* →</p> <p>7: 10,3* ↓</p> <p>8: 10,3* →</p> <p>9: 10,9* ↓</p> <p>Serie: 87,0</p> <p>Sum: 0,0</p> | <p>60 shot</p>  <p>1: 9,7 ↗</p> <p>2: 10,2* ↓</p> <p>3: 10,5* ↓</p> <p>4: 10,6* ↗</p> <p>5: 10,5* ←</p> <p>6: 10,5* ←</p> <p>7: 9,9 ←</p> <p>8: 10,5* ↗</p> <p>9: 10,0 →</p> <p>10: 9,1 →</p> <p>Serie: 97,0</p> <p>Sum: 97,0</p> |
|---|---|---|

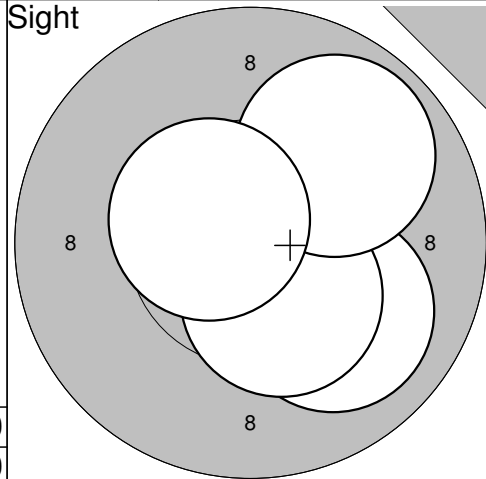
| | | |
|--|---|---|
| <p>60 shot</p>  | <p>11: 9,8 →</p> <p>12: 9,6 ↗</p> <p>13: 10,2* ↗</p> <p>14: 10,0 ←</p> <p>15: 9,9 ↗</p> <p>16: 9,4 ↑</p> <p>17: 8,8 ↑</p> <p>18: 10,4* ↓</p> <p>19: 10,2* ←</p> <p>20: 10,5* ↗</p> <p>Serie: 94,0</p> <p>Sum: 191,0</p> | <p>60 shot</p>  <p>21: 9,2 ←</p> <p>22: 9,8 ↗</p> <p>23: 10,7* ←</p> <p>24: 9,1 ←</p> <p>25: 9,8 ↗</p> <p>26: 9,9 ↓</p> <p>27: 10,7* ↗</p> <p>28: 9,5 →</p> <p>29: 9,3 ↗</p> <p>30: 8,8 ↑</p> <p>Serie: 91,0</p> <p>Sum: 282,0</p> |
|--|---|---|

| | | |
|---|--|--|
| <p>60 shot</p>  | <p>31: 9,0 →</p> <p>32: 10,1 ↗</p> <p>33: 10,0 ↓</p> <p>34: 9,5 ←</p> <p>35: 10,0 ↓</p> <p>36: 10,6* ↑</p> <p>37: 8,2 ←</p> <p>38: 10,2* →</p> <p>39: 10,2* ↗</p> <p>40: 10,0 ↓</p> <p>Serie: 96,0</p> <p>Sum: 378,0</p> | <p>60 shot</p>  <p>41: 10,1 ↗</p> <p>42: 10,6* ↓</p> <p>43: 9,8 ←</p> <p>44: 9,9 ←</p> <p>45: 9,8 ←</p> <p>46: 10,1 ↗</p> <p>47: 9,8 ↗</p> <p>48: 9,3 ↗</p> <p>49: 10,0 ↑</p> <p>50: 10,0 ↑</p> <p>Serie: 95,0</p> <p>Sum: 473,0</p> |
|---|--|--|

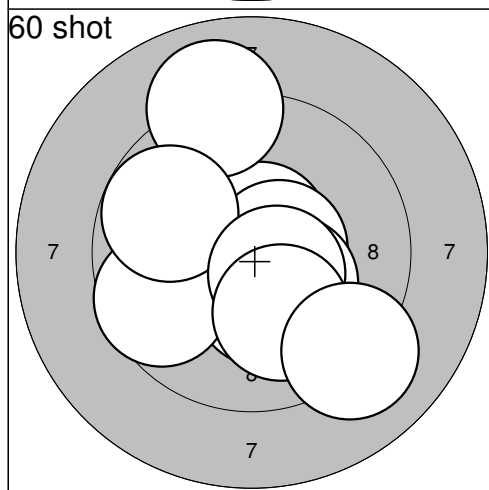
| | | |
|---|--|--|
| <p>60 shot</p>  | <p>51: 10,5* ←</p> <p>52: 10,3* ↗</p> <p>53: 10,1 ↓</p> <p>54: 10,0 ↓</p> <p>55: 10,8* ↗</p> <p>56: 10,1 →</p> <p>57: 9,8 ←</p> <p>58: 9,6 →</p> <p>59: 10,0 ↗</p> <p>60: 10,5* ↗</p> <p>Serie: 98,0</p> <p>Sum: 571,0</p> | |
|---|--|--|



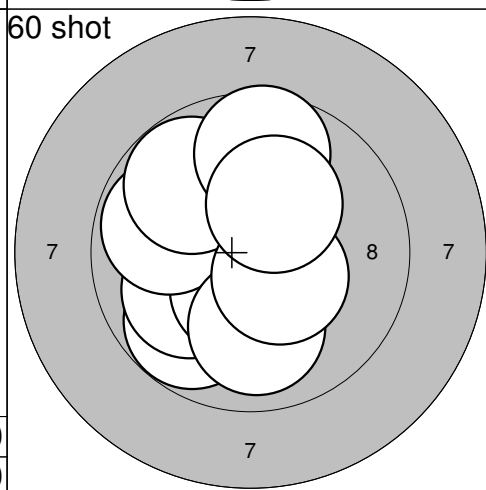
| | |
|---------------|-------------|
| 1: 10,6* | ↑ |
| 2: 10,5* | ← |
| 3: 10,0 | ↗ |
| 4: 9,8 | → |
| 5: 9,4 | ← |
| 6: 10,6* | → |
| 7: 9,9 | ↗ |
| 8: 10,1 | → |
| 9: 10,2* | ← |
| 10: 10,2* | ↑ |
| Serie: | 97,0 |
| Sum: | 0,0 |



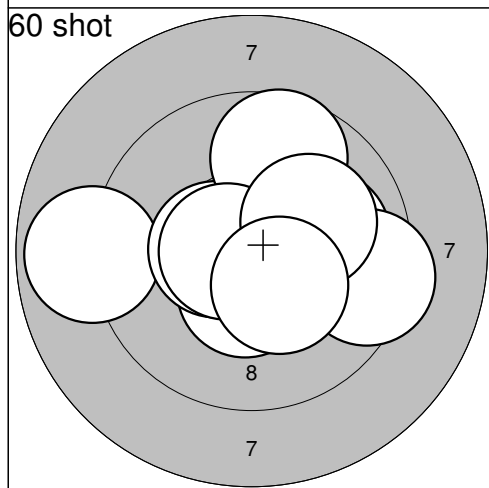
| | |
|---------------|-------------|
| 11: 10,0 | ↘ |
| 12: 10,4* | ↓ |
| 13: 9,9 | ↗ |
| 14: 10,5* | ↖ |
| Serie: | 39,0 |
| Sum: | 0,0 |



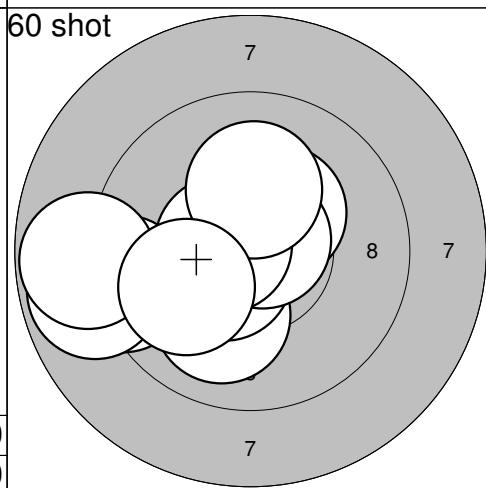
| | |
|---------------|-------------|
| 1: 10,6* | ↑ |
| 2: 10,6* | → |
| 3: 10,3* | ↓ |
| 4: 9,0 | ↗ |
| 5: 9,6 | ← |
| 6: 10,3* | ↓ |
| 7: 9,8 | ↗ |
| 8: 10,5* | ↓ |
| 9: 10,1 | ↓ |
| 10: 9,1 | ↓ |
| Serie: | 96,0 |
| Sum: | 96,0 |



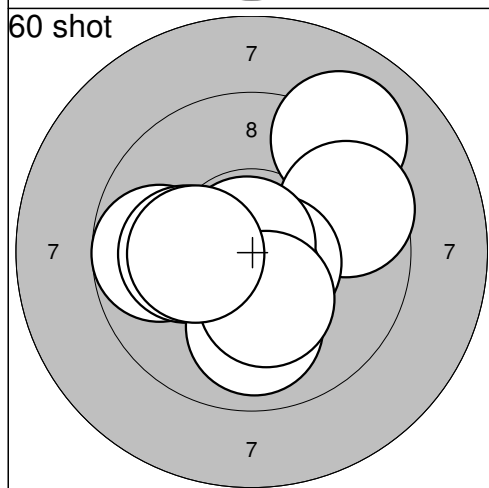
| | |
|---------------|--------------|
| 11: 10,9* | → |
| 12: 9,8 | ↘ |
| 13: 10,0 | ← |
| 14: 10,5* | ↓ |
| 15: 9,8 | ← |
| 16: 9,8 | ↗ |
| 17: 9,7 | ↑ |
| 18: 10,0 | ↓ |
| 19: 10,4* | ↘ |
| 20: 10,2* | ↑ |
| Serie: | 96,0 |
| Sum: | 192,0 |



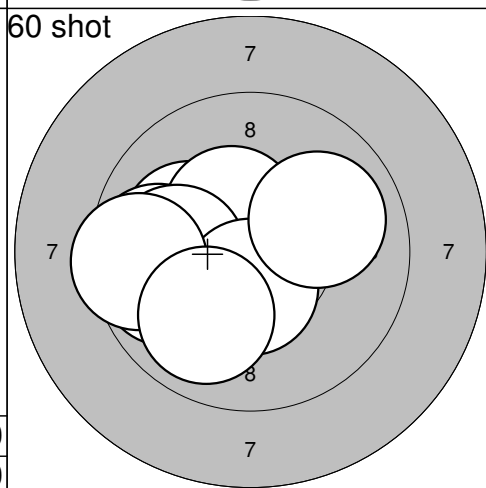
| | |
|---------------|--------------|
| 21: 10,0 | → |
| 22: 9,4 | → |
| 23: 10,2* | ↗ |
| 24: 8,9 | ← |
| 25: 10,4* | ↓ |
| 26: 10,5* | ← |
| 27: 9,7 | ↑ |
| 28: 10,6* | ← |
| 29: 10,1 | → |
| 30: 10,4* | ↓ |
| Serie: | 96,0 |
| Sum: | 288,0 |



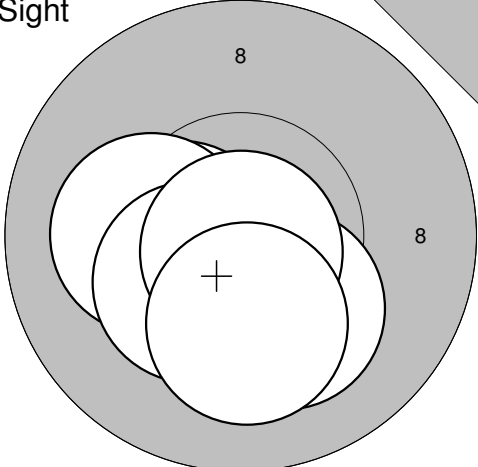
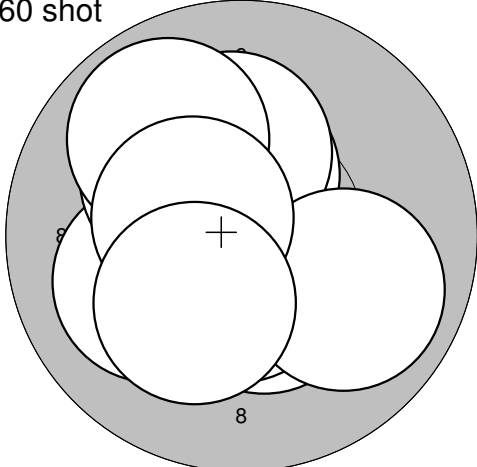
| | |
|---------------|--------------|
| 31: 10,0 | ↓ |
| 32: 9,2 | ← |
| 33: 10,5* | ↘ |
| 34: 8,9 | ← |
| 35: 8,8 | ← |
| 36: 10,3* | ↗ |
| 37: 10,7* | ↗ |
| 38: 10,6* | ← |
| 39: 10,2* | ↑ |
| 40: 10,0 | ↘ |
| Serie: | 95,0 |
| Sum: | 383,0 |

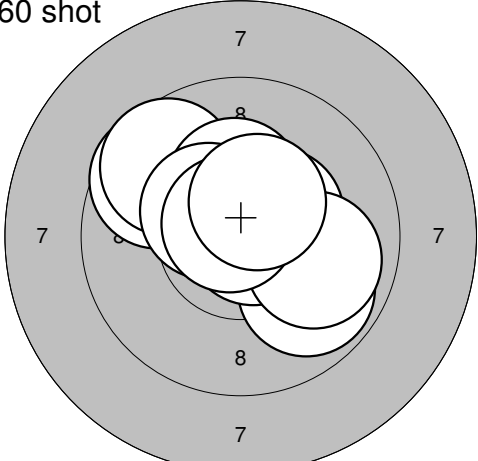
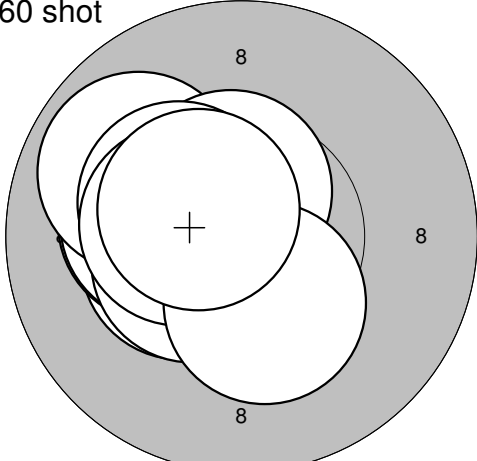


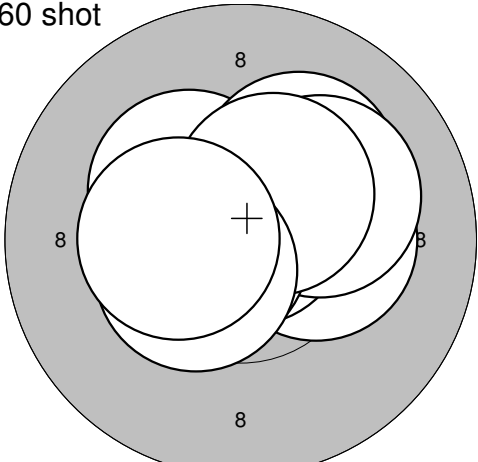
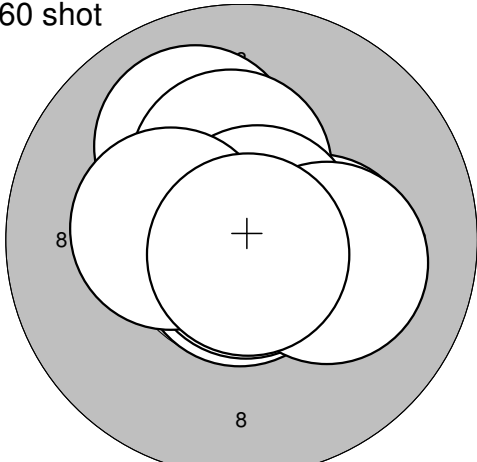
| | |
|---------------|--------------|
| 41: 9,7 | ← |
| 42: 9,1 | ↗ |
| 43: 9,6 | → |
| 44: 10,6* | ↘ |
| 45: 10,6* | ↓ |
| 46: 10,1 | ← |
| 47: 10,0 | ↓ |
| 48: 10,8* | ↗ |
| 49: 10,3* | ↓ |
| 50: 10,2* | ← |
| Serie: | 97,0 |
| Sum: | 480,0 |

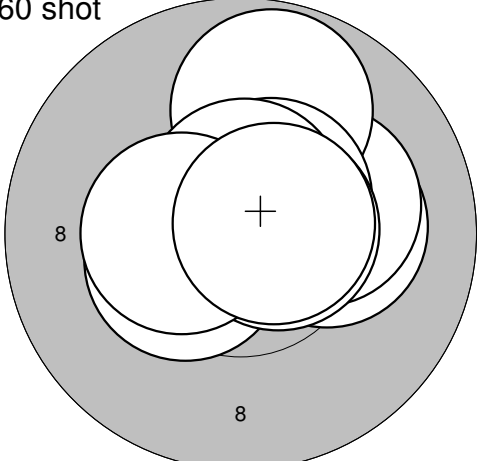


| | |
|---------------|--------------|
| 51: 10,5* | ↖ |
| 52: 9,8 | ← |
| 53: 10,1 | ↖ |
| 54: 9,7 | ← |
| 55: 10,4* | ↗ |
| 56: 10,0 | ← |
| 57: 10,5* | ↓ |
| 58: 10,0 | ↗ |
| 59: 9,5 | ← |
| 60: 9,9 | ↘ |
| Serie: | 96,0 |
| Sum: | 576,0 |

| | | | |
|--|---|--|--|
| Sight  | 1: 10,4* ← 2: 10,2* ← 3: 10,4* ↓ 4: 10,2* ↓ 5: 10,4* ↙ 6: 10,8* ↓ 7: 10,2* ↓ Serie: 70,0 Sum: 0,0 | 60 shot  | 1: 10,4* ↑ 2: 10,4* ↓ 3: 10,1 ← 4: 10,2* ↗ 5: 10,5* ↓ 6: 10,2* ↑ 7: 9,9 → 8: 9,9 ↗ 9: 10,5* ↖ 10: 10,2* ↓ Serie: 98,0 Sum: 98,0 |
|--|---|--|--|

| | | | |
|---|---|---|---|
| 60 shot  | 11: 9,8 ↘ 12: 10,8* → 13: 9,6 ↗ 14: 10,4* → 15: 9,6 ↗ 16: 10,3* ↑ 17: 10,4* ↗ 18: 9,9 → 19: 10,7* ↗ 20: 10,5* ↗ Serie: 96,0 Sum: 194,0 | 60 shot  | 21: 10,4* ← 22: 10,2* ← 23: 10,2* ← 24: 9,9 ↖ 25: 10,5* ← 26: 10,5* ↑ 27: 10,3* ↖ 28: 10,4* ← 29: 10,3* ↓ 30: 10,5* ↖ Serie: 99,0 Sum: 293,0 |
|---|---|---|---|

| | | | |
|--|---|--|---|
| 60 shot  | 31: 10,6* ↑ 32: 10,3* ↖ 33: 10,2* ↗ 34: 10,3* → 35: 10,8* ↗ 36: 10,1 ↗ 37: 10,6* ← 38: 10,5* ↗ 39: 10,5* ← 40: 10,4* ← Serie: 100,0 Sum: 393,0 | 60 shot  | 41: 10,8* ↓ 42: 10,7* ↓ 43: 10,3* → 44: 10,8* ↓ 45: 10,0 ↗ 46: 10,3* ↑ 47: 10,8* ↗ 48: 10,3* ← 49: 10,2* → 50: 10,8* ↓ Serie: 100,0 Sum: 493,0 |
|--|---|--|---|

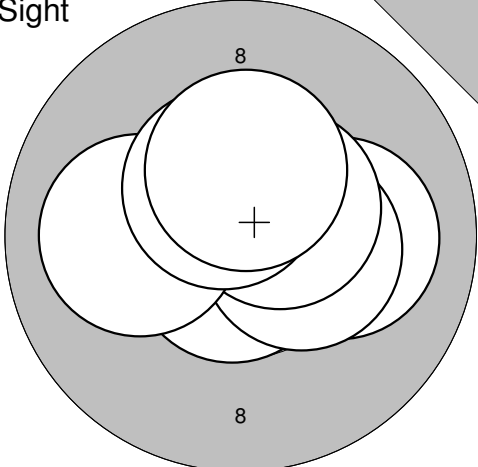
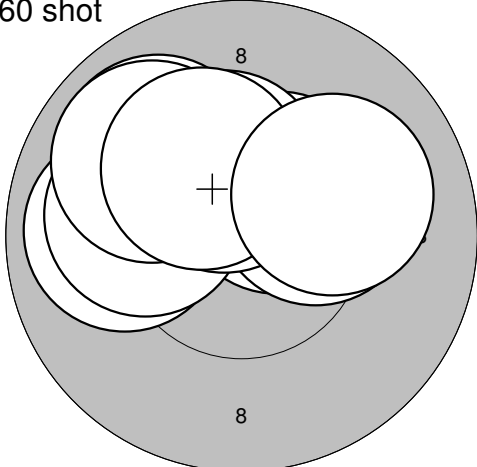
| | | |
|--|---|--|
| 60 shot  | 51: 10,2* → 52: 10,8* ↑ 53: 10,2* → 54: 9,8 ↑ 55: 10,4* ← 56: 10,5* ↗ 57: 10,6* → 58: 10,6* ↑ 59: 10,4* ← 60: 10,6* → Serie: 99,0 Sum: 592,0 | |
|--|---|--|

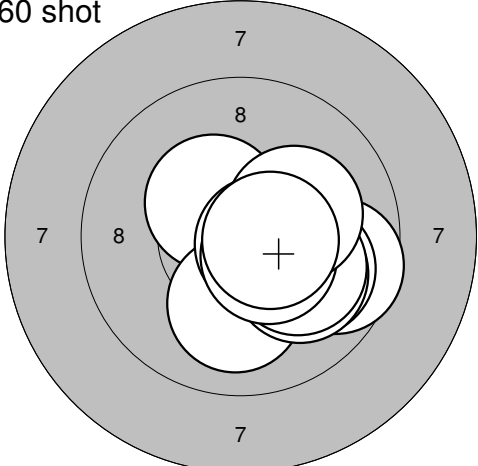
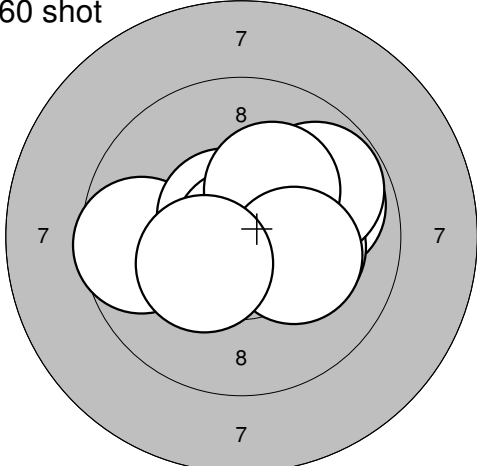
| | | |
|--------------|--------------|--------------------|
| <p>Sight</p> | <p>Sight</p> | <p>11: 10,8* ←</p> |
| Serie: 98,0 | Serie: 10,0 | |
| Sum: 0,0 | Sum: 0,0 | |

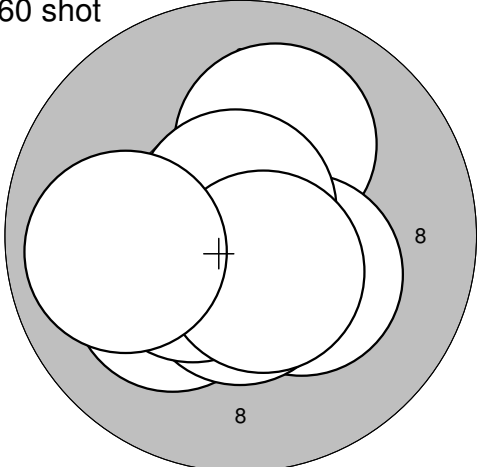
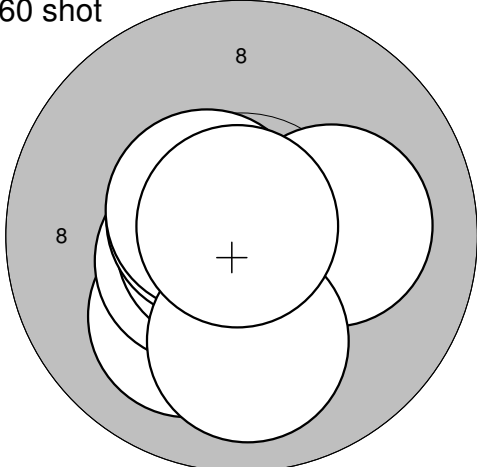
| | | |
|----------------|----------------|---|
| <p>60 shot</p> | <p>60 shot</p> | <p>11: 10,5* ↖</p> <p>12: 10,6* ↗</p> <p>13: 10,5* ↓</p> <p>14: 10,4* ↑</p> <p>15: 9,7 ↗</p> <p>16: 10,3* ←</p> <p>17: 10,7* ↓</p> <p>18: 10,1 ↑</p> <p>19: 10,1 ↖</p> <p>20: 10,8* ↑</p> |
| Serie: 100,0 | Serie: 99,0 | |
| Sum: 100,0 | Sum: 199,0 | |

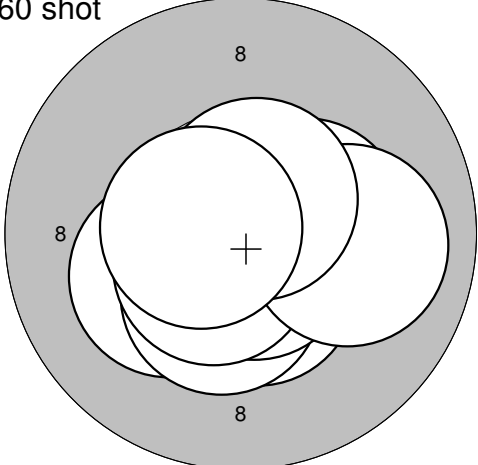
| | | |
|----------------|----------------|---|
| <p>60 shot</p> | <p>60 shot</p> | <p>31: 10,2* ↑</p> <p>32: 10,2* ↗</p> <p>33: 10,5* →</p> <p>34: 10,4* ↓</p> <p>35: 10,2* ↗</p> <p>36: 9,9 ←</p> <p>37: 10,7* ↓</p> <p>38: 9,9 ↓</p> <p>39: 10,6* ↑</p> <p>40: 10,6* ↗</p> |
| Serie: 97,0 | Serie: 98,0 | |
| Sum: 296,0 | Sum: 394,0 | |

| | | |
|----------------|----------------|---|
| <p>60 shot</p> | <p>60 shot</p> | <p>51: 10,6* ←</p> <p>52: 10,7* ↓</p> <p>53: 10,4* ↓</p> <p>54: 10,0 →</p> <p>55: 10,7* →</p> <p>56: 10,4* ↗</p> <p>57: 10,4* ↗</p> <p>58: 10,7* ↗</p> <p>59: 10,1 ↓</p> <p>60: 9,9 ↓</p> |
| Serie: 100,0 | Serie: 99,0 | |
| Sum: 494,0 | Sum: 593,0 | |

| | | | |
|--|---|--|---|
| Sight  | 1: 10,6* ↑ 2: 10,7* → 3: 10,7* ↓ 4: 10,1 → 5: 10,4* → 6: 10,5* → 7: 10,1 ← 8: 10,5* ↑ 9: 10,4* ↑ <hr/> Serie: 90,0 Sum: 0,0 | 60 shot  | 1: 9,9 ↗ 2: 9,9 ← 3: 10,2* ↗ 4: 10,5* ↗ 5: 10,1 ← 6: 10,2* → 7: 10,4* ↑ 8: 9,9 ↗ 9: 10,3* ↗ 10: 10,1 → <hr/> Serie: 97,0 Sum: 97,0 |
|--|---|--|---|

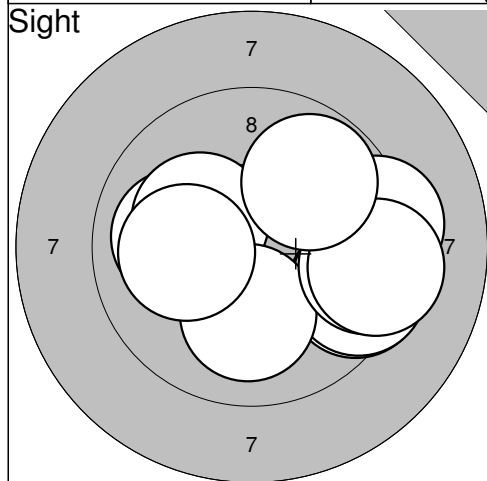
| | | | |
|---|---|---|---|
| 60 shot  | 11: 10,4* ↗ 12: 10,1 ↓ 13: 9,6 → 14: 10,6* → 15: 10,0 ↓ 16: 10,0 ↓ 17: 10,1 ↓ 18: 10,5* ↓ 19: 10,2* → 20: 10,5* → <hr/> Serie: 99,0 Sum: 196,0 | 60 shot  | 21: 9,9 → 22: 9,6 ← 23: 10,2* → 24: 10,6* ↗ 25: 10,7* → 26: 10,9* ↓ 27: 9,8 ↗ 28: 10,2* ↗ 29: 10,2* → 30: 10,3* ↙ <hr/> Serie: 97,0 Sum: 293,0 |
|---|---|---|---|

| | | | |
|--|---|--|---|
| 60 shot  | 31: 10,1 ↑ 32: 10,5* ↓ 33: 10,1 ← 34: 10,3* → 35: 10,2* ← 36: 10,5* ↓ 37: 10,5* ← 38: 10,7* ↑ 39: 10,6* ↓ 40: 9,9 ← <hr/> Serie: 99,0 Sum: 392,0 | 60 shot  | 41: 10,1 ↓ 42: 10,6* ↓ 43: 10,5* ← 44: 10,7* ← 45: 10,7* ↓ 46: 10,1 → 47: 10,6* ← 48: 10,6* ↗ 49: 10,0 ↓ 50: 10,9* ↑ <hr/> Serie: 100,0 Sum: 492,0 |
|--|---|--|---|

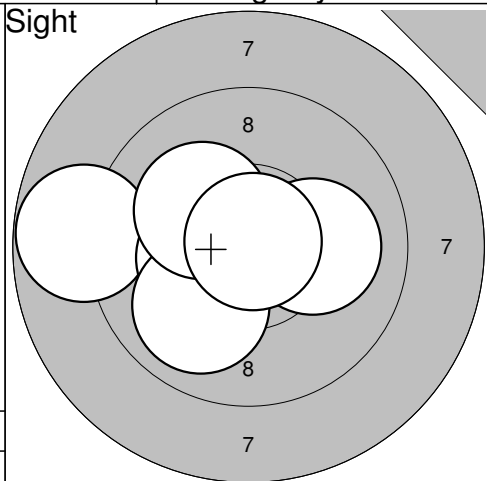
| | | | |
|--|---|--|--|
| 60 shot  | 51: 10,5* ↓ 52: 10,2* ← 53: 10,8* ↗ 54: 10,4* ↓ 55: 10,7* ↓ 56: 10,4* → 57: 10,6* ↓ 58: 10,0 → 59: 10,6* ↑ 60: 10,6* ← <hr/> Serie: 100,0 Sum: 592,0 | | |
|--|---|--|--|

Aalborg Skyttekreds

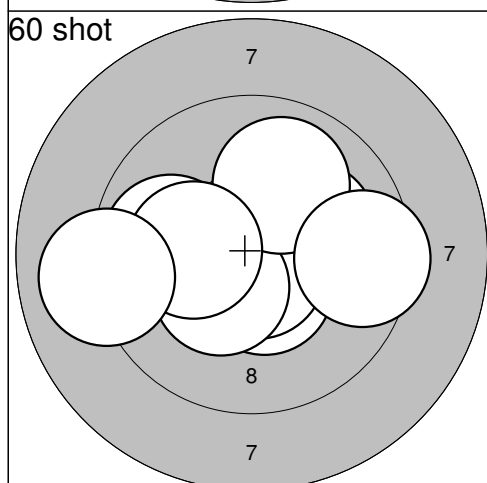
| | | |
|------------|---------------|---------------------|
| 15.01.2011 | DIF-turnering | Aalborg Skyttekreds |
|------------|---------------|---------------------|



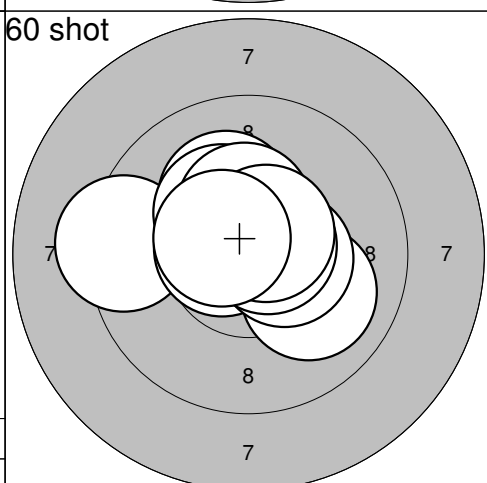
| | |
|--------------------|---|
| 1: 10,0 | ← |
| 2: 10,2* | ↗ |
| 3: 9,5 | → |
| 4: 9,4 | → |
| 5: 10,1 | ↓ |
| 6: 9,4 | → |
| 7: 9,3 | → |
| 8: 10,1 | ← |
| 9: 9,3 | → |
| 10: 9,8 | ↗ |
| Serie: 94,0 | |
| Sum: 0,0 | |



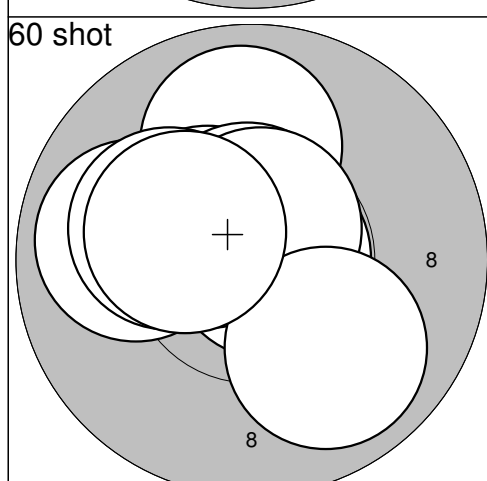
| | |
|--------------------|---|
| 11: 8,8 | ← |
| 12: 10,1 | → |
| 13: 10,4* | ← |
| 14: 10,0 | ↘ |
| 15: 10,2* | ↗ |
| 16: 10,9* | ↗ |
| Serie: 58,0 | |
| Sum: 0,0 | |



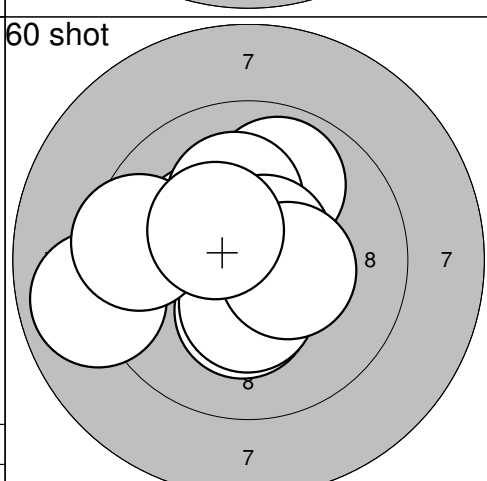
| | |
|--------------------|---|
| 1: 10,3* | ↗ |
| 2: 9,9 | ← |
| 3: 10,5* | ↘ |
| 4: 10,1 | → |
| 5: 10,7* | ↘ |
| 6: 10,4* | ↘ |
| 7: 10,0 | ↗ |
| 8: 10,2* | ← |
| 9: 9,0 | ← |
| 10: 9,5 | → |
| Serie: 97,0 | |
| Sum: 97,0 | |



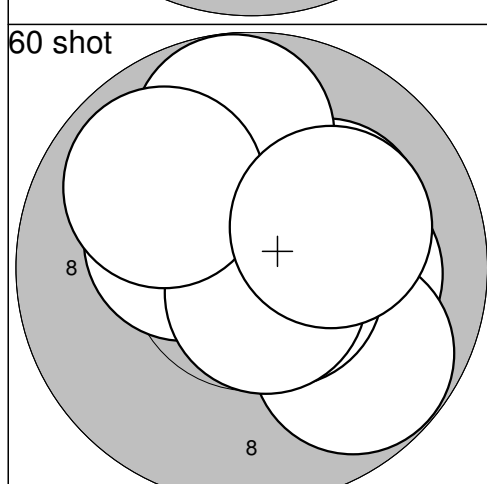
| | |
|--------------------|---|
| 11: 10,0 | ↘ |
| 12: 9,3 | ← |
| 13: 10,6* | ← |
| 14: 10,5* | → |
| 15: 10,2* | ↗ |
| 16: 10,3* | ↗ |
| 17: 10,4* | ↑ |
| 18: 10,7* | → |
| 19: 10,6* | ↗ |
| 20: 10,6* | ← |
| Serie: 99,0 | |
| Sum: 196,0 | |



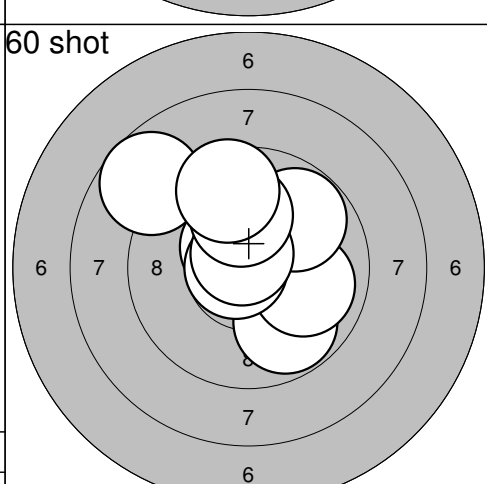
| | |
|--------------------|---|
| 21: 10,4* | ↗ |
| 22: 10,8* | → |
| 23: 9,9 | ↑ |
| 24: 10,5* | ↗ |
| 25: 10,6* | ↑ |
| 26: 10,7* | ↑ |
| 27: 9,9 | ← |
| 28: 9,9 | ↘ |
| 29: 10,2* | ↗ |
| 30: 10,3* | ↖ |
| Serie: 97,0 | |
| Sum: 293,0 | |



| | |
|--------------------|---|
| 31: 9,9 | ↑ |
| 32: 10,3* | ↖ |
| 33: 10,3* | ↘ |
| 34: 10,1 | ↑ |
| 35: 10,7* | ↗ |
| 36: 10,4* | ↘ |
| 37: 8,9 | ← |
| 38: 9,5 | ← |
| 39: 10,4* | → |
| 40: 10,4* | ↗ |
| Serie: 96,0 | |
| Sum: 389,0 | |



| | |
|--------------------|---|
| 41: 10,3* | ← |
| 42: 10,2* | → |
| 43: 9,8 | ↑ |
| 44: 10,1 | → |
| 45: 10,5* | ↘ |
| 46: 9,8 | ↘ |
| 47: 10,6* | ↘ |
| 48: 10,7* | ↘ |
| 49: 9,9 | ↗ |
| 50: 10,2* | → |
| Serie: 97,0 | |
| Sum: 486,0 | |



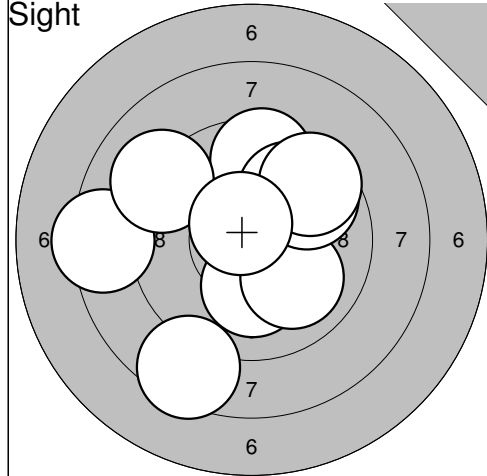
| | |
|--------------------|---|
| 51: 10,5* | ↗ |
| 52: 9,8 | ↘ |
| 53: 10,4* | ↗ |
| 54: 9,9 | → |
| 55: 10,7* | ← |
| 56: 9,8 | ↗ |
| 57: 8,7 | ↗ |
| 58: 10,7* | ↗ |
| 59: 10,0 | ↑ |
| 60: 9,6 | ↑ |
| Serie: 94,0 | |
| Sum: 580,0 | |

| | | | |
|------------------|--|------------------|---|
| Sight | 1: 10,1 ↓ 2: 9,9 ← 3: 10,5* ↓ 4: 10,6* ↓ 5: 9,9 → 6: 10,1 → 7: 10,7* → 8: 9,7 ← 9: 10,2* ← 10: 10,5* ↗ <hr/> Serie: 97,0 Sum: 0,0 | Sight | 11: 10,2* ↓ 12: 10,4* ↗ <hr/> Serie: 20,0 Sum: 0,0 |
|------------------|--|------------------|---|

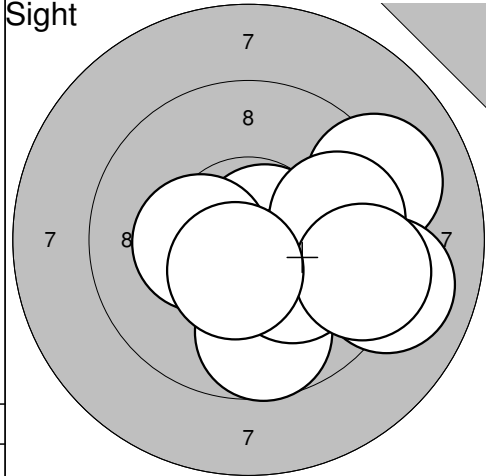
| | | | |
|--------------------|---|--------------------|--|
| 60 shot | 1: 10,6* ↑ 2: 10,4* ← 3: 9,9 → 4: 9,8 ↗ 5: 10,3* ↗ 6: 10,9* ↗ 7: 10,6* → 8: 10,8* ↗ 9: 10,6* ← 10: 10,2* ↗ <hr/> Serie: 98,0 Sum: 98,0 | 60 shot | 11: 10,3* ↗ 12: 10,1 → 13: 9,8 ↗ 14: 10,2* ← 15: 9,9 ↗ 16: 10,2* ↗ 17: 9,7 ↓ 18: 10,2* ↓ 19: 9,6 → 20: 10,2* → <hr/> Serie: 96,0 Sum: 194,0 |
|--------------------|---|--------------------|--|

| | | | |
|--------------------|---|--------------------|--|
| 60 shot | 21: 9,6 ↗ 22: 10,0 → 23: 10,6* ↗ 24: 10,0 → 25: 10,5* ↓ 26: 10,4* ↗ 27: 10,2* ↗ 28: 9,2 → 29: 10,3* ↓ 30: 10,2* → <hr/> Serie: 98,0 Sum: 292,0 | 60 shot | 31: 10,8* ↓ 32: 10,7* ← 33: 10,1 ↑ 34: 10,4* ← 35: 9,1 ← 36: 10,1 ↗ 37: 10,1 → 38: 10,4* ↓ 39: 10,2* ← 40: 10,4* ↓ <hr/> Serie: 99,0 Sum: 391,0 |
|--------------------|---|--------------------|--|

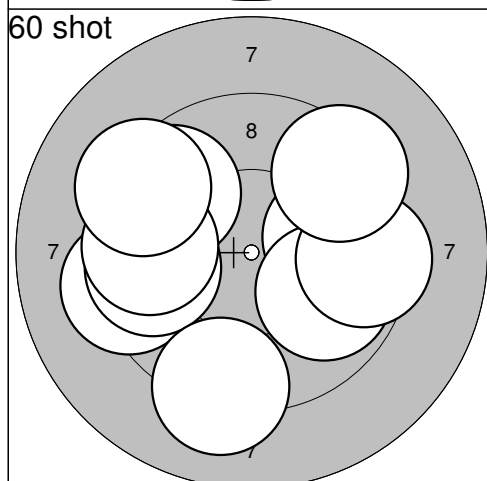
| | | | |
|--------------------|--|--------------------|--|
| 60 shot | 41: 10,6* ← 42: 10,5* ← 43: 10,2* ↓ 44: 10,4* ↓ 45: 10,7* ↓ 46: 10,0 ← 47: 10,2* ↗ 48: 10,4* ↓ 49: 9,9 ↗ 50: 9,3 → <hr/> Serie: 98,0 Sum: 489,0 | 60 shot | 51: 10,3* ← 52: 10,2* ↗ 53: 9,2 ↓ 54: 10,2* → 55: 10,3* ← 56: 10,1 ↗ 57: 10,8* ← 58: 10,5* ↑ 59: 10,2* ↓ 60: 10,4* ↓ <hr/> Serie: 99,0 Sum: 588,0 |
|--------------------|--|--------------------|--|



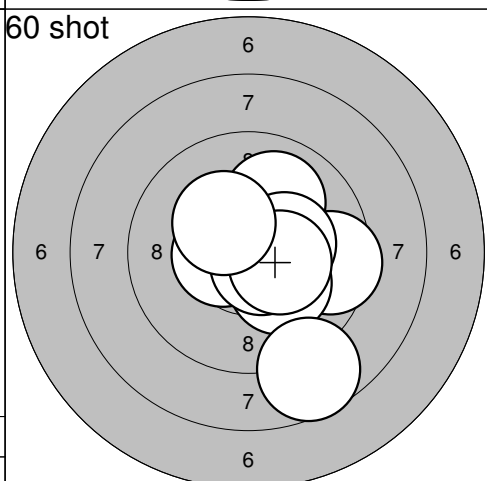
| | |
|---------------|-------------|
| 1: 8,5 | ↘ |
| 2: 8,4 | ← |
| 3: 10,1 | ↓ |
| 4: 10,0 | ↘ |
| 5: 9,6 | ↑ |
| 6: 9,9 | ↗ |
| 7: 9,1 | ↗ |
| 8: 9,7 | ↗ |
| 9: 9,5 | ↗ |
| 10: 10,6* | ↗ |
| Serie: | 91,0 |
| Sum: | 0,0 |



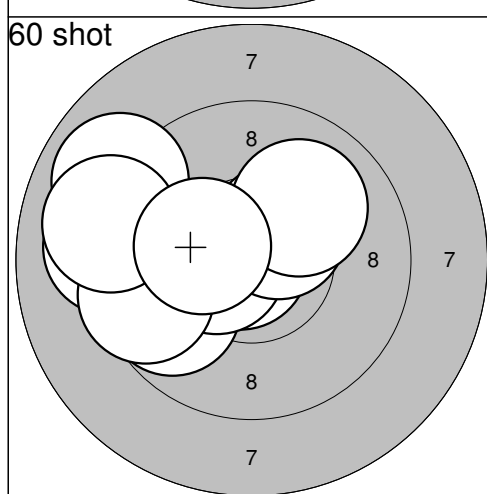
| | |
|---------------|-------------|
| 11: 9,1 | → |
| 12: 9,7 | ↓ |
| 13: 9,0 | → |
| 14: 10,7* | → |
| 15: 10,2* | ↘ |
| 16: 9,7 | → |
| 17: 9,4 | → |
| 18: 10,3* | ← |
| 19: 10,5* | ↘ |
| Serie: | 85,0 |
| Sum: | 0,0 |



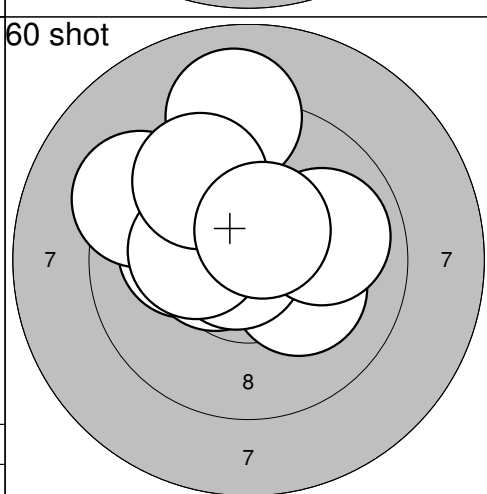
| | |
|---------------|-------------|
| 1: 9,3 | ← |
| 2: 9,7 | ↗ |
| 3: 9,9 | → |
| 4: 9,6 | ← |
| 5: 9,6 | ← |
| 6: 9,9 | ↘ |
| 7: 9,3 | ↗ |
| 8: 9,1 | ↓ |
| 9: 9,5 | → |
| 10: 9,4 | ↗ |
| Serie: | 90,0 |
| Sum: | 90,0 |



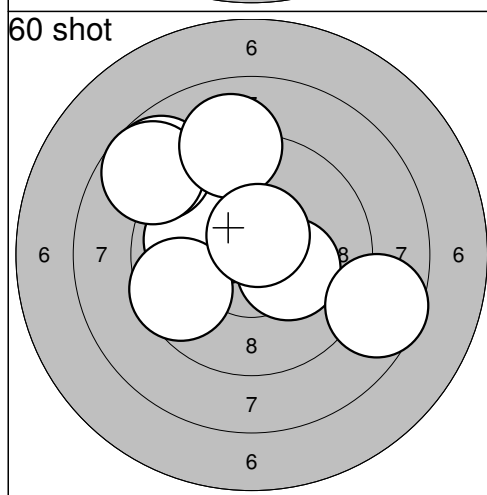
| | |
|---------------|--------------|
| 11: 10,0 | ↗ |
| 12: 10,3* | → |
| 13: 9,5 | → |
| 14: 10,2* | ↘ |
| 15: 10,5* | ← |
| 16: 8,7 | ↘ |
| 17: 10,6* | ↘ |
| 18: 10,3* | → |
| 19: 10,4* | → |
| 20: 10,3* | ↗ |
| Serie: | 97,0 |
| Sum: | 187,0 |



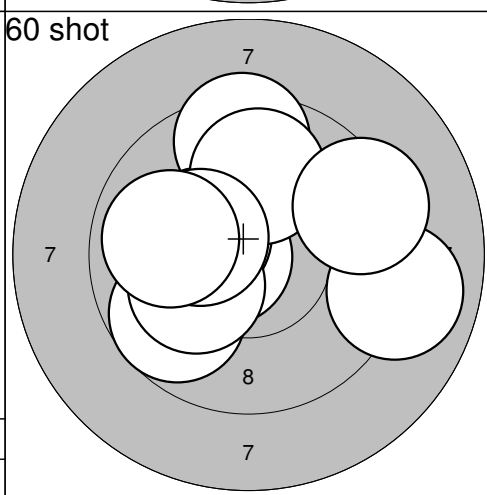
| | |
|---------------|--------------|
| 21: 9,7 | ← |
| 22: 10,8* | ← |
| 23: 9,1 | ← |
| 24: 8,9 | ↗ |
| 25: 10,5* | ← |
| 26: 9,5 | ← |
| 27: 10,4* | ↗ |
| 28: 9,0 | ← |
| 29: 10,0 | ↗ |
| 30: 10,3* | ← |
| Serie: | 94,0 |
| Sum: | 281,0 |



| | |
|---------------|--------------|
| 31: 10,1 | ← |
| 32: 10,5* | ← |
| 33: 10,2* | ↘ |
| 34: 9,3 | ↗ |
| 35: 10,8* | ← |
| 36: 9,9 | → |
| 37: 9,1 | ↑ |
| 38: 10,3* | ← |
| 39: 9,7 | ↗ |
| 40: 10,5* | ↗ |
| Serie: | 96,0 |
| Sum: | 377,0 |



| | |
|---------------|--------------|
| 41: 9,9 | ↗ |
| 42: 10,3* | ↗ |
| 43: 10,3* | → |
| 44: 10,0 | ← |
| 45: 9,6 | ← |
| 46: 8,8 | ↗ |
| 47: 8,7 | ↗ |
| 48: 9,0 | ↗ |
| 49: 8,6 | ↘ |
| 50: 10,6* | ↗ |
| Serie: | 91,0 |
| Sum: | 468,0 |



| | |
|---------------|--------------|
| 51: 10,6* | ← |
| 52: 9,5 | ↑ |
| 53: 9,7 | ↘ |
| 54: 10,3* | ← |
| 55: 9,9 | ↑ |
| 56: 9,0 | → |
| 57: 9,3 | → |
| 58: 10,2* | ← |
| 59: 10,3* | ← |
| 60: 9,9 | ← |
| Serie: | 94,0 |
| Sum: | 562,0 |